
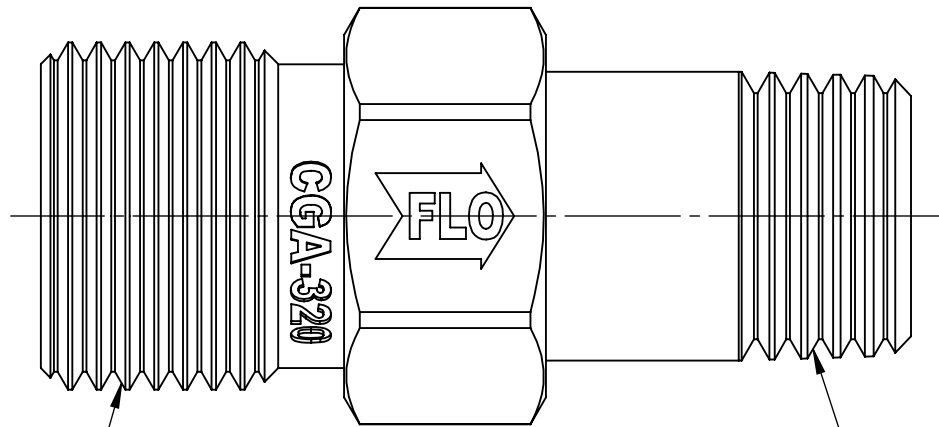
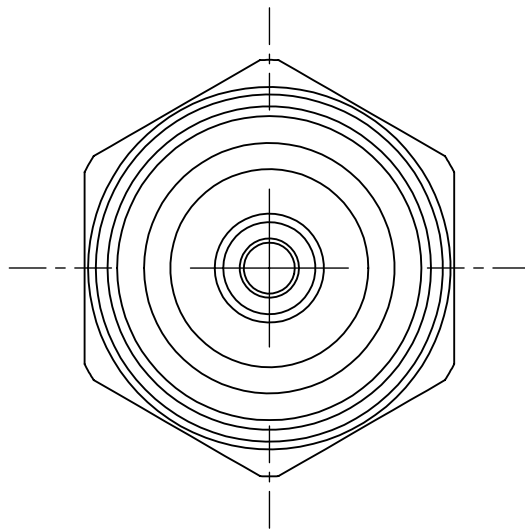


|                                      |         |          |      |       |   |  |  |  |  |
|--------------------------------------|---------|----------|------|-------|---|--|--|--|--|
| DWG. No./Part No.:<br><b>A-542CV</b> |         |          |      |       | CODE:<br><b>S</b>   | DESCRIPTION:<br><b>CHECK VALVE ADAPTOR,<br/>CGA-320 to 3/8 NPT</b>   | MATERIAL:  | FINISH:<br><b>TO BE FREE FROM<br/>OIL AND DIRT</b> |  |
| REV                                  | ECN     | DATE     | CHKD | APPVD | <u>TOLERANCES UNLESS SPECIFIED:</u><br>125 FINISH ALL OVER<br>REMOVE ALL BURRS<br>BREAK ALL CORNERS .015/.005<br>DECIMAL .XX +/- .015<br>.XXX +/- .005<br>ANGULAR +/- 1<br>CONCENTRICITY .007 TIR | <u>NOTICE:</u><br>THE DATA IN THIS DOCUMENT INCORPORATES<br>PROPRIETARY INFORMATION AND RIGHTS OF<br>SUPERIOR PRODUCTS, INC. CONFIDENCE AND<br>AGREES THAT IT SHALL NOT BE DUPLICATED IN<br>WHOLE OR IN PART, NOR DISCLOSED TO OTHERS<br>WITHOUT THE WRITTEN CONSENT OF SUPERIOR<br>PRODUCTS, INC. | INTERPRET GEOMETRIC<br>TOLERANCING PER: ANSI Y14.5 |  |  |
| A                                    | REDRAWN | 09/29/06 | GDG  | PSM   |   |  | <b>DO NOT SCALE</b>                                |  |  |
|                                      |         |          |      |       |   |  |  |  |  |



.825-14 RH NGO-EXT  
CGA - V1  
CONN - 320

3/8 NPT