
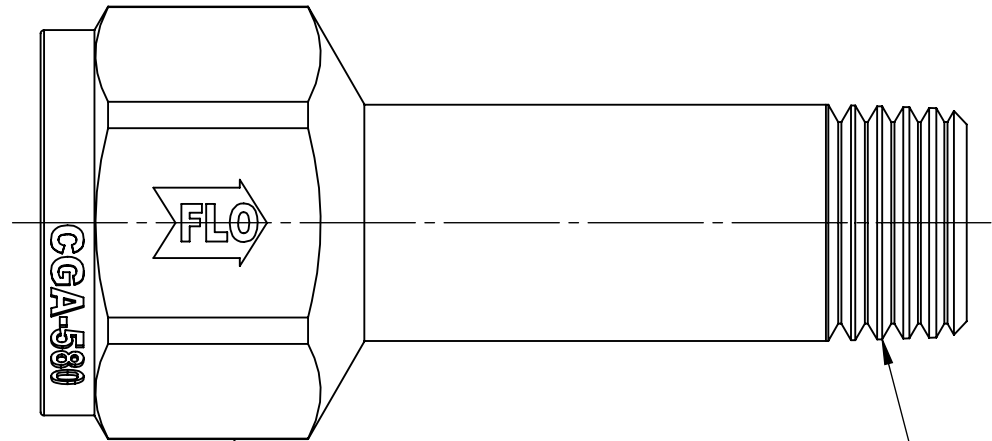
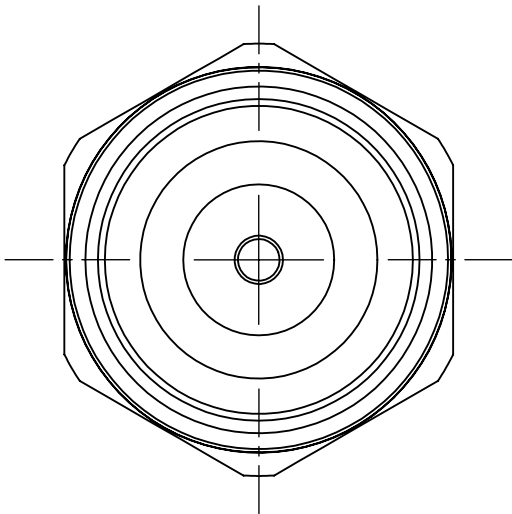


|                    |         |          |      |       |                                                                                                                                                            |                                            |                                                                                                                                                                                                                                                                                             |                                 |                                                                                    |
|--------------------|---------|----------|------|-------|------------------------------------------------------------------------------------------------------------------------------------------------------------|--------------------------------------------|---------------------------------------------------------------------------------------------------------------------------------------------------------------------------------------------------------------------------------------------------------------------------------------------|---------------------------------|------------------------------------------------------------------------------------|
| DWG. No./Part No.: |         |          |      |       | CODE:                                                                                                                                                      | DESCRIPTION:                               | MATERIAL:                                                                                                                                                                                                                                                                                   | FINISH:                         |  |
| A-602CV            |         |          |      |       | S                                                                                                                                                          | CHECK VALVE ADAPTOR,<br>CGA-580 to 3/8 NPT |                                                                                                                                                                                                                                                                                             | TO BE FREE FROM<br>OIL AND DIRT |                                                                                    |
| REV                | ECN     | DATE     | CHKD | APPVD | TOLERANCES UNLESS SPECIFIED:                                                                                                                               |                                            | NOTICE:<br>THE DATA IN THIS DOCUMENT INCORPORATES<br>PROPRIETARY INFORMATION AND RIGHTS OF<br>SUPERIOR PRODUCTS, INC. CONFIDENCE AND<br>AGREES THAT IT SHALL NOT BE DUPLICATED IN<br>WHOLE OR IN PART, NOR DISCLOSED TO OTHERS<br>WITHOUT THE WRITTEN CONSENT OF SUPERIOR<br>PRODUCTS, INC. |                                 |                                                                                    |
| A                  | REDRAWN | 09/29/06 | GDG  | PSM   | 125 FINISH ALL OVER<br>REMOVE ALL BURRS<br>BREAK ALL CORNERS .015/.005<br>DECIMAL .XX +/- .015<br>.XXX +/- .005<br>ANGULAR +/- 1<br>CONCENTRICITY .007 TIR |                                            | DO NOT SCALE                                                                                                                                                                                                                                                                                |                                 |                                                                                    |



.965-14 RH NGO-INT  
CGA - V1  
CONN - 580

3/8 NPT