
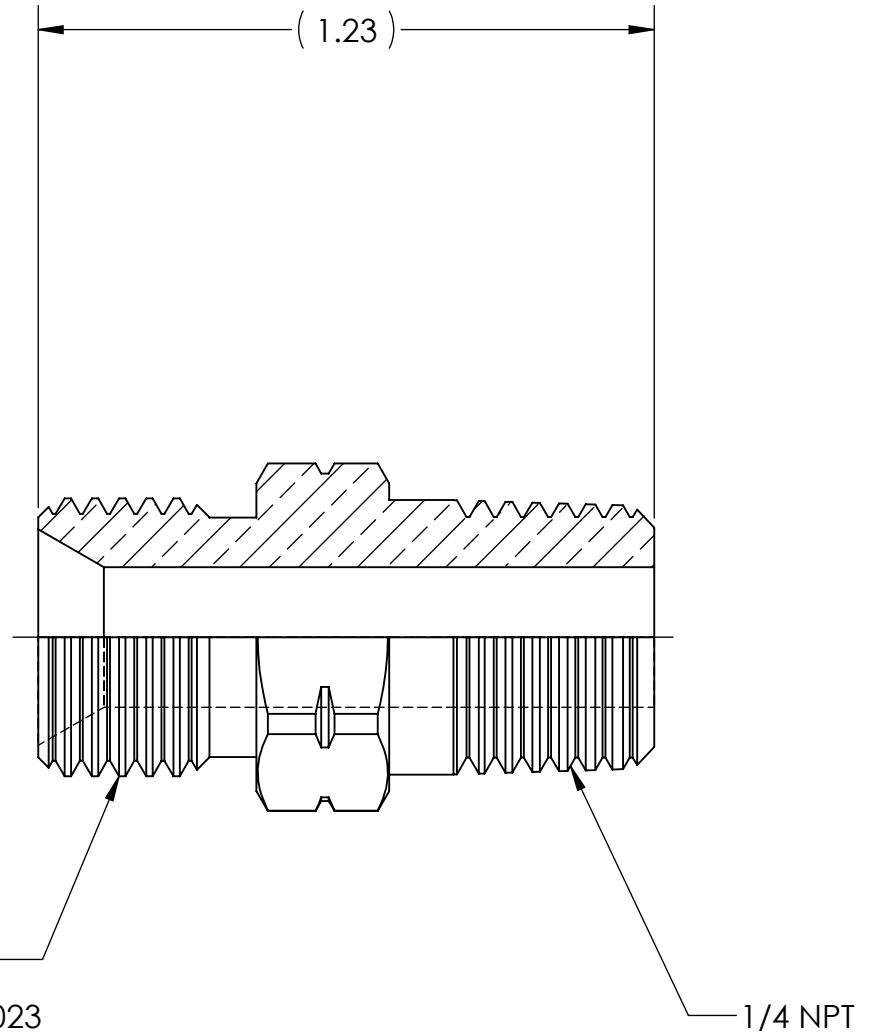
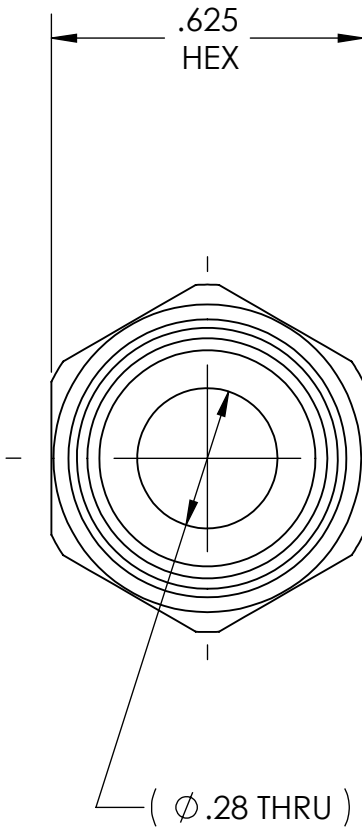


DWG. No./Part No.:					CODE:	DESCRIPTION:	MATERIAL:	FINISH:	
B-29					S	OUTLET BUSHING, CGA-023 to 1/4 NPT	.6250 HEX BRASS	BRITE-DIP	
REV	ECN	DATE	CHKD	APPVD	NOTICE: THE DATA IN THIS DOCUMENT INCORPORATES PROPRIETARY INFORMATION AND RIGHTS OF SUPERIOR PRODUCTS, INC. CONFIDENCE AND AGREES THAT IT SHALL NOT BE DUPLICATED IN WHOLE OR IN PART, NOR DISCLOSED TO OTHERS WITHOUT THE WRITTEN CONSENT OF SUPERIOR PRODUCTS, INC.			INTERPRET GEOMETRIC TOLERANCING PER: ANSI Y14.5	
A	REDRAWN	06/15/07	GDG	MRE					
B	10-0239	10/15/10	GDG	RJJ					
C	11-0073	05/18/11	GDG	RJJ					
								DO NOT SCALE	



9/16-18 LH UNF
 CGA E-1
 CONNECTION 023

1/4 NPT