

DWG. No./Part No.:  
F-OH-XX-1\_AMVEX

CODE: S  
DESCRIPTION: GENERAL INSPECTION SHEET FOR AMVEX OHMEDA FEMALES

MATERIAL:

FINISH:

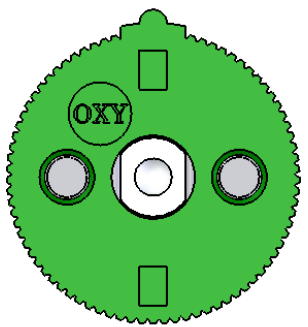
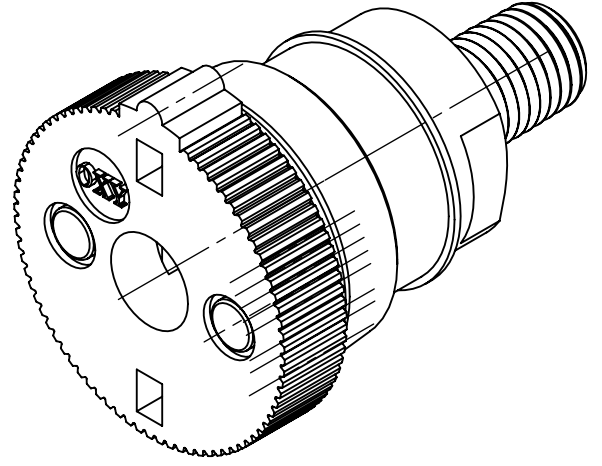
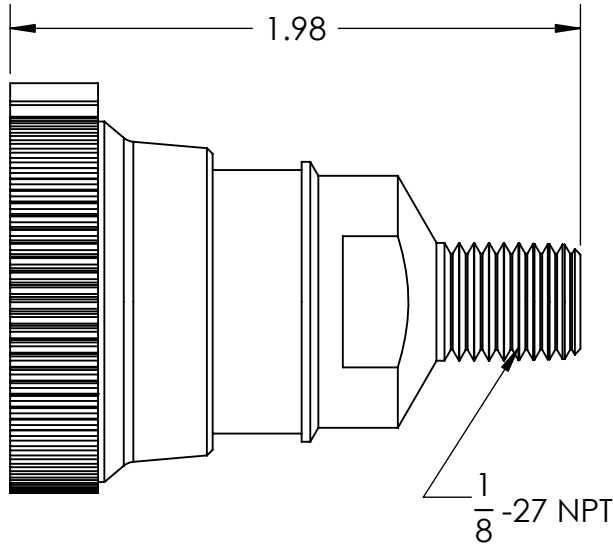
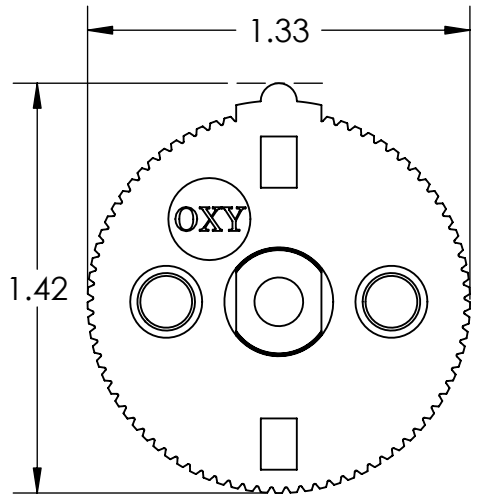


REV	ECN	DATE	CHKD	APPVD
A		03/16/07	HCD	RJJ

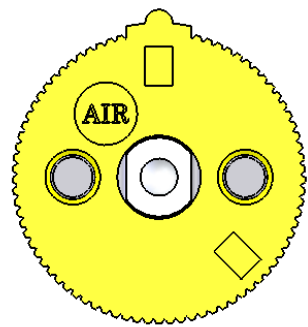
TOLERANCES UNLESS SPECIFIED:  
 125 FINISH ALL OVER  
 REMOVE ALL BURRS  
 BREAK ALL CORNERS .015/.005  
 DECIMAL .XX +/- .015  
 .XXX +/- .005  
 ANGULAR +/- 1  
 CONCENTRICITY .007 TIR

NOTICE:  
 THE DATA IN THIS DOCUMENT INCORPORATES PROPRIETARY INFORMATION AND RIGHTS OF SUPERIOR PRODUCTS, INC. CONFIDENCE AND AGREES THAT IT SHALL NOT BE DUPLICATED IN WHOLE OR IN PART, NOR DISCLOSED TO OTHERS WITHOUT THE WRITTEN CONSENT OF SUPERIOR PRODUCTS, INC.

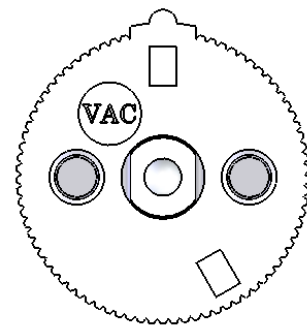
INTERPRET GEOMETRIC TOLERANCING PER: ANSI Y14.5  
 DO NOT SCALE



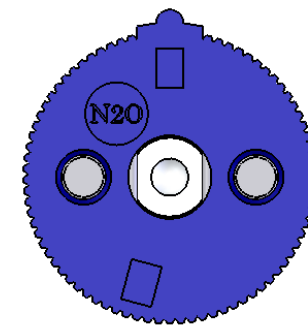
F-OH-OX-1



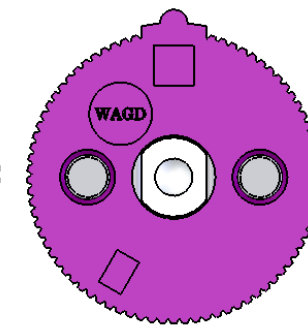
F-OH-AR-1



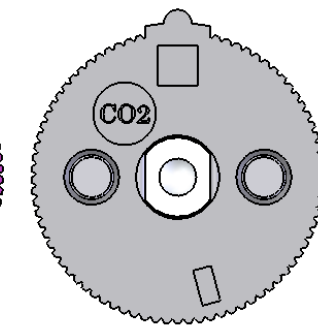
F-OH-SC-1



F-OH-NO-1



F-OH-EV-1



F-OH-CO-1