

DWG. No./Part No.:
F-OH-SC-5

CODE: S
DESCRIPTION: MEDICAL QUICK CONNECT,
OHMEDA, FEMALE,
W/ 1/8" FNPT

MATERIAL:

FINISH:
TO BE FREE FROM
OIL AND DIRT

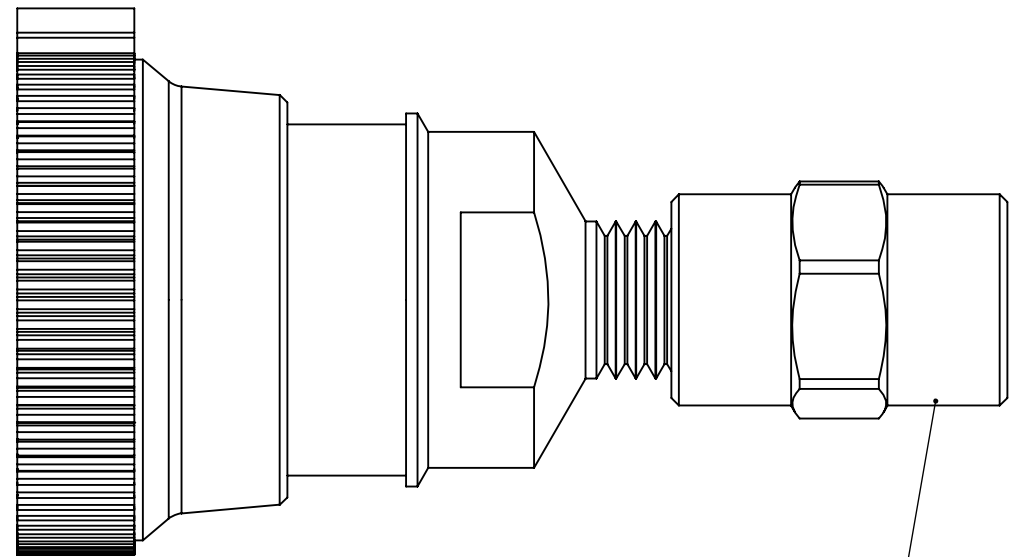
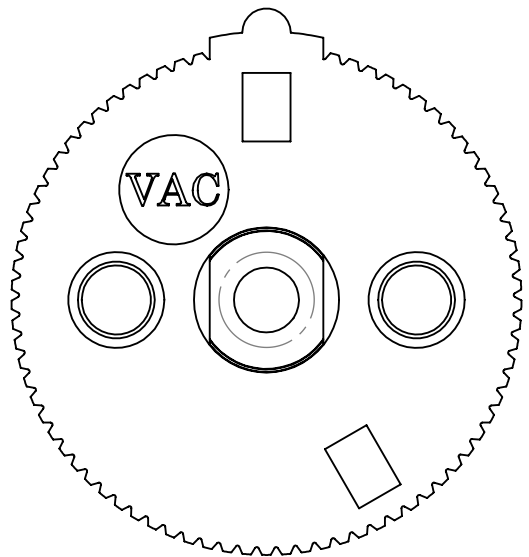


REV	ECN	DATE	CHKD	APPVD
A		05/30/08	HCD	RJJ

NOTICE:
THE DATA IN THIS DOCUMENT INCORPORATES
PROPRIETARY INFORMATION AND RIGHTS OF
SUPERIOR PRODUCTS, INC. CONFIDENCE AND
AGREES THAT IT SHALL NOT BE DUPLICATED IN
WHOLE OR IN PART, NOR DISCLOSED TO OTHERS
WITHOUT THE WRITTEN CONSENT OF SUPERIOR
PRODUCTS, INC.

INTERPRET GEOMETRIC
TOLERANCING PER: ANSI Y14.5

DO NOT SCALE



1/8 FNPT