
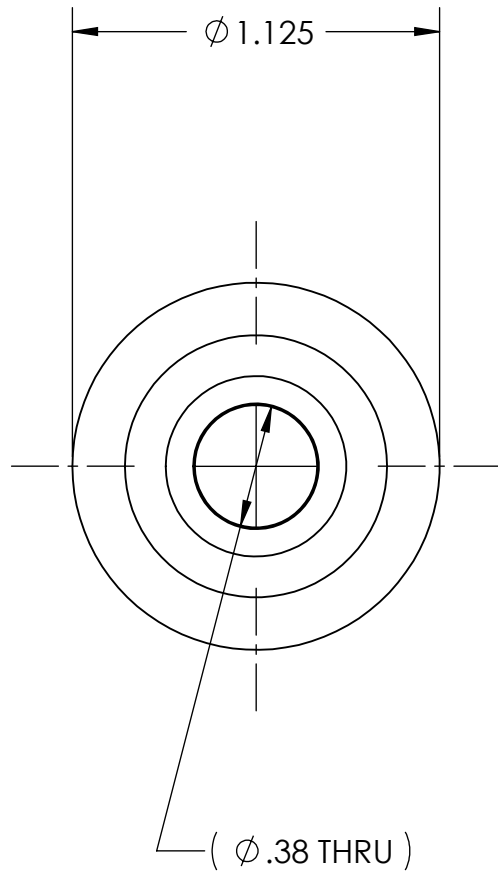


DWG. No./Part No.: GMF-3321					CODE: S	DESCRIPTION: UNION NIPPLE, CGA-1340 & 1350 to 3/8 NPT	MATERIAL: 1.1250 RD BRASS	FINISH: BRITE-DIP	
REV	ECN	DATE	CHKD	APPVD	TOLERANCES UNLESS SPECIFIED: 125 FINISH ALL OVER REMOVE ALL BURRS BREAK ALL CORNERS .015/.005 DECIMAL .XX +/- .015 .XXX +/- .005 ANGULAR +/- 1 CONCENTRICITY .007 TIR		NOTICE: THE DATA IN THIS DOCUMENT INCORPORATES PROPRIETARY INFORMATION AND RIGHTS OF SUPERIOR PRODUCTS, INC. CONFIDENCE AND AGREES THAT IT SHALL NOT BE DUPLICATED IN WHOLE OR IN PART, NOR DISCLOSED TO OTHERS WITHOUT THE WRITTEN CONSENT OF SUPERIOR PRODUCTS, INC.		
A	122303A	01/15/08	GDG	MRE			DO NOT SCALE		



CGA - V10
CONN - 1340 & 1350

