
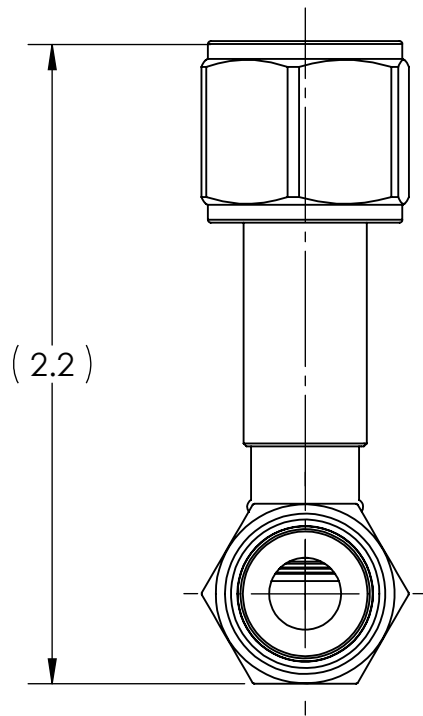
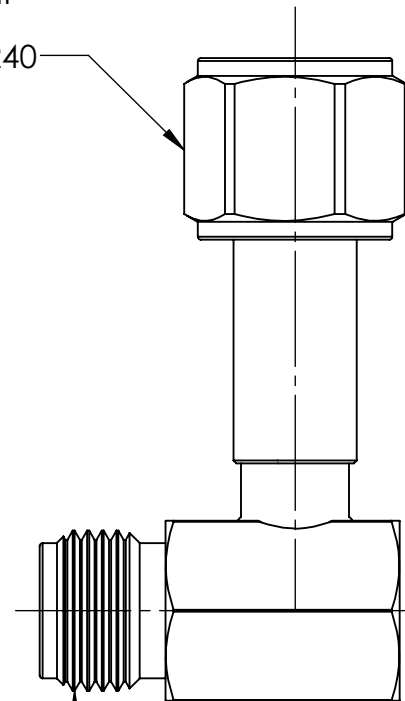


DWG. No./Part No.:					CODE:	DESCRIPTION:	MATERIAL:	FINISH:	
MA-328					S	MEDICAL ADAPTOR, CGA-1240 FEMALE to CGA-1240 MALE		OEM Decorative Bright NiCr Plate	
REV	ECN	DATE	CHKD	APPVD	TOLERANCES UNLESS SPECIFIED:		NOTICE:		INTERPRET GEOMETRIC TOLERANCING PER: ANSI Y14.5
A	032802A	08/22/06	GDG	RJJ	125 FINISH ALL OVER REMOVE ALL BURRS BREAK ALL CORNERS .015/.005 DECIMAL .XX +/- .015 .XXX +/- .005 ANGULAR +/- 1 CONCENTRICITY .007 TIR		THE DATA IN THIS DOCUMENT INCORPORATES PROPRIETARY INFORMATION AND RIGHTS OF SUPERIOR PRODUCTS, INC. CONFIDENCE AND AGREES THAT IT SHALL NOT BE DUPLICATED IN WHOLE OR IN PART, NOR DISCLOSED TO OTHERS WITHOUT THE WRITTEN CONSENT OF SUPERIOR PRODUCTS, INC.		DO NOT SCALE



9/16-18 UNF
CGA - V5
CONN - 1240



9/16-18 UNF
CGA - V5
CONN - 1240

