
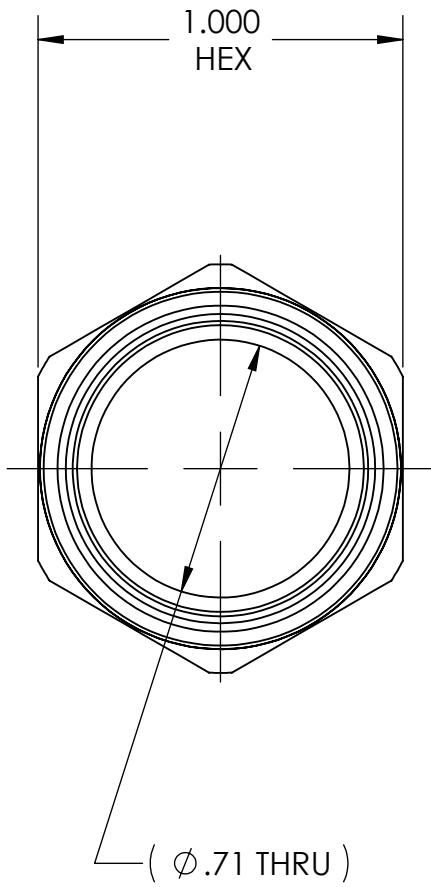


| | | | | | | | | | |
|-------------------------------------|---------|----------|------|-------|---|--|--|--|--|
| DWG. No./Part No.: MN-222 | | | | | CODE: S | DESCRIPTION: MEDICAL HOSE NUT, CGA-2220 | MATERIAL: 1.0000 HEX BRASS | FINISH: OEM DECORATIVE BRIGHT NiCr PLATE |  |
| REV | ECN | DATE | CHKD | APPVD | <u>TOLERANCES UNLESS SPECIFIED:</u> 125 FINISH ALL OVER REMOVE ALL BURRS BREAK ALL CORNERS .015/.005 DECIMAL .XX +/- .015 .XXX +/- .005 ANGULAR +/- 1 CONCENTRICITY .007 TIR | <u>NOTICE:</u> THE DATA IN THIS DOCUMENT INCORPORATES PROPRIETARY INFORMATION AND RIGHTS OF SUPERIOR PRODUCTS, INC. CONFIDENCE AND AGREES THAT IT SHALL NOT BE DUPLICATED IN WHOLE OR IN PART, NOR DISCLOSED TO OTHERS WITHOUT THE WRITTEN CONSENT OF SUPERIOR PRODUCTS, INC. | INTERPRET GEOMETRIC TOLERANCING PER: ANSI Y14.5 | | |
| A | 032802A | 11/18/05 | GDG | MRE | | | | DO NOT SCALE | |



.875-14 RH UNF-2B
CGA - V-5
CONN - 2220

