

PART NO.- MNP-435

5

DO NOT SCALE DRAWING

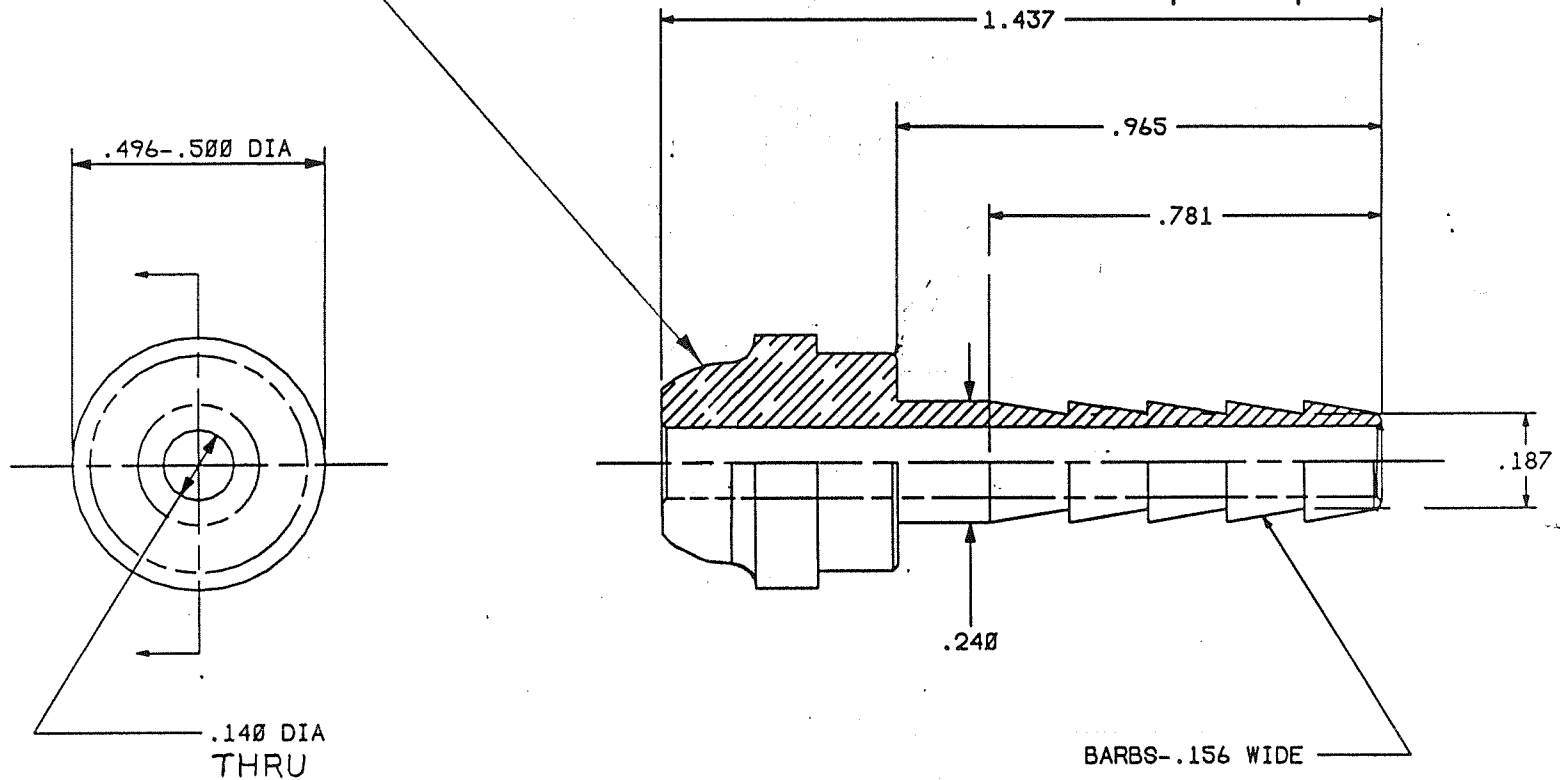
DATE

REVISIONS

BY

CGA V-5 #1240
"B" SIZE HEAD FORM.

REV A



SUPERIOR PRODUCTS, INC.

3786 RIDGE ROAD

CLEVELAND, OH. 44144

TOLERANCES UNLESS OTHERWISE SPECIFIED

SCALE

DRAWN BY

DATE

APPROVED BY

PART NAME CGA-1240

DECIMALS: ±.005

FINISH: O.E.M.

3:1

JDG

05/20/93

FM

HOSE NIPPLE

FRACTIONS: ±1/64

CHROME PLATE

MATERIAL

.5000 RD BRASS

PART NO.

MNP-435

5

ANGLES: ±1°