

DWG. No./Part No.:
N-2400

CODE: S DESCRIPTION: HOSE NUT, CGA-032

MATERIAL: .6875 HEX BRASS

FINISH: BRITE-DIP

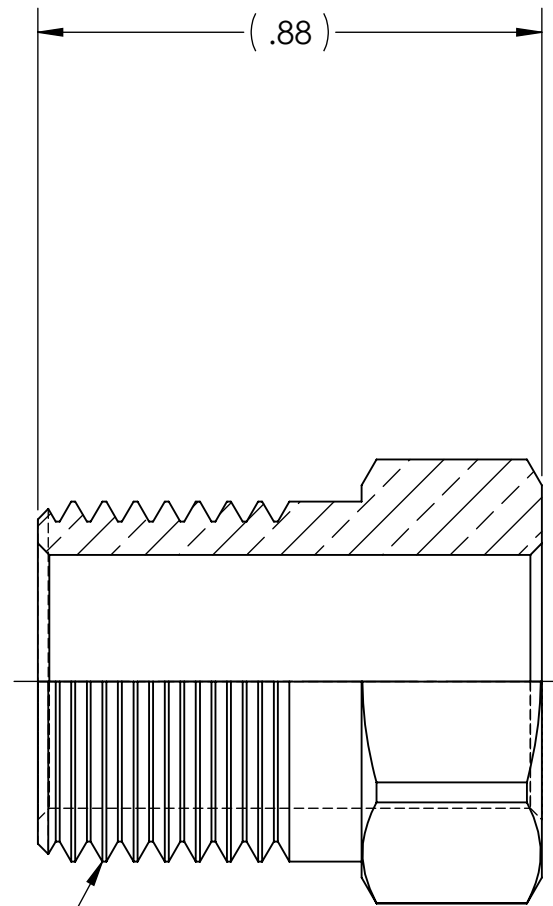
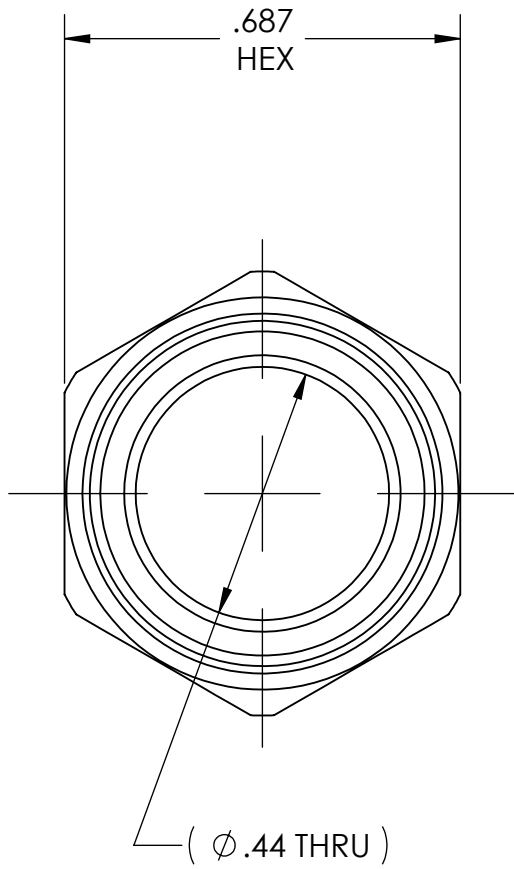


REV	ECN	DATE	CHKD	APPVD
A	RDRWN	12/01/05	GDG	MRE

TOLERANCES UNLESS SPECIFIED:
 125 FINISH ALL OVER
 REMOVE ALL BURRS
 BREAK ALL CORNERS .015/.005
 DECIMAL .XX +/- .015
 .XXX +/- .005
 ANGULAR +/- 1
 CONCENTRICITY .007 TIR

NOTICE:
 THE DATA IN THIS DOCUMENT INCORPORATES PROPRIETARY INFORMATION AND RIGHTS OF SUPERIOR PRODUCTS, INC. CONFIDENCE AND AGREES THAT IT SHALL NOT BE DUPLICATED IN WHOLE OR IN PART, NOR DISCLOSED TO OTHERS WITHOUT THE WRITTEN CONSENT OF SUPERIOR PRODUCTS, INC.

INTERPRET GEOMETRIC TOLERANCING PER: ANSI Y14.5
DO NOT SCALE



5/8-18 RH UNF
 CGA - E1
 CONN - 032