
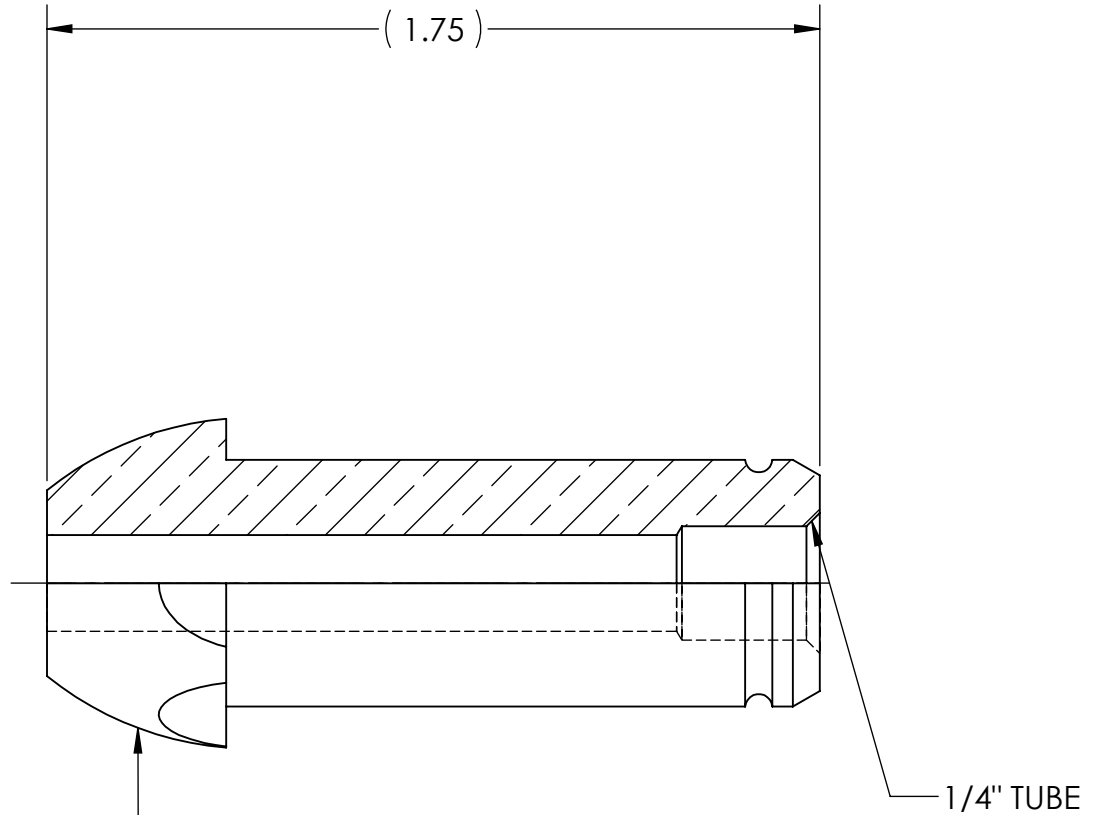
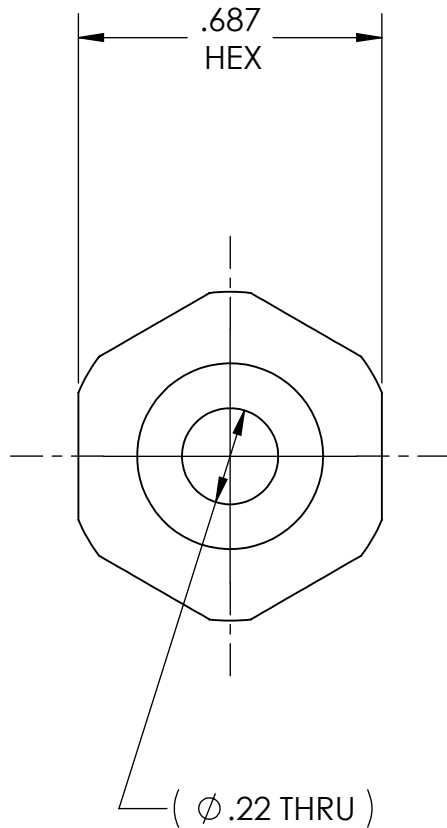


| | | | | | | | | | |
|--------------------|---------|----------|------|-------|---|--|---|-----------|--|
| DWG. No./Part No.: | | | | | CODE: | DESCRIPTION: | MATERIAL: | FINISH: |  |
| NP-188C2 | | | | | S | C'SUNK NIPPLE, CGA-500, 510, 580 & 590 to 1/4" TUBE | .6875 HEX BRASS | BRITE-DIP | |
| REV | ECN | DATE | CHKD | APPVD | TOLERANCES UNLESS SPECIFIED: | | INTERPRET GEOMETRIC TOLERANCING PER: ANSI Y14.5 | | |
| A | REDRAWN | 01/24/07 | GDG | MRE | TOLERANCES UNLESS SPECIFIED: T25 FINISH ALL OVER REMOVE ALL BURRS BREAK ALL CORNERS .015/.005 DECIMAL .XX +/- .015 .XXX +/- .005 ANGULAR +/- 1 CONCENTRICITY .007 TIR | | DO NOT SCALE | | |
| | | | | | NOTICE: THE DATA IN THIS DOCUMENT INCORPORATES PROPRIETARY INFORMATION AND RIGHTS OF SUPERIOR PRODUCTS, INC. CONFIDENCE AND AGREES THAT IT SHALL NOT BE DUPLICATED IN WHOLE OR IN PART, NOR DISCLOSED TO OTHERS WITHOUT THE WRITTEN CONSENT OF SUPERIOR PRODUCTS, INC. | | | | |



CGA - V1
CONN - 500, 510, 580 & 590